

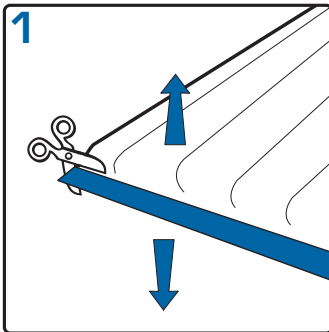


## New Repose Refresh Cover

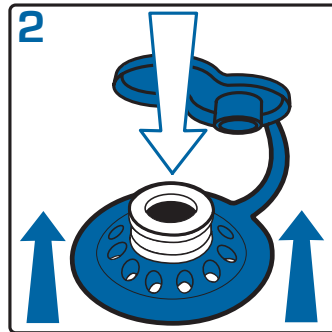
### A replacement cover for Repose Mattress Overlay or Cushion

#### Instructions for use

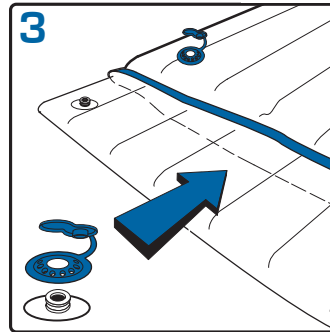
Removal and replacement of Repose Mattress Overlay or Cushion cover with a New Refresh replacement cover



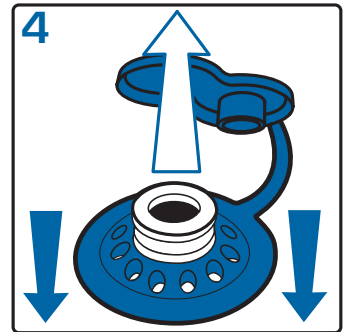
1 Remove existing outer cover by cutting adjacent to the top blue edging tape using a safety knife or scissors.



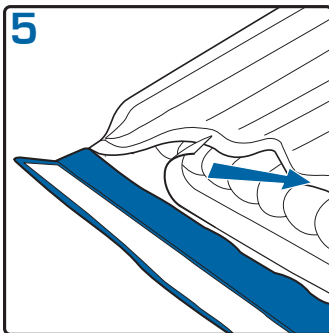
2 Lift underneath the blue shroud and push down on valve to separate from outer cover. Remove inner Mattress or Cushion from outer cover. Clean and allow to dry.



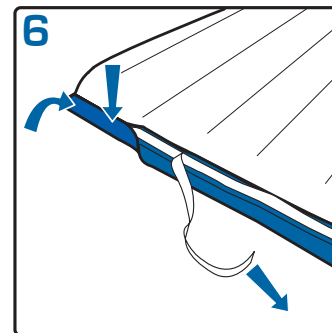
3 Insert an inflated Mattress or Cushion into a Refresh replacement cover ensuring that the inflation valve and blue shroud on the new Refresh cover are aligned.



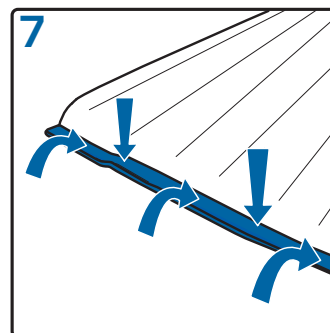
4 Press the blue shroud down onto the inflation valve until it is securely fixed.



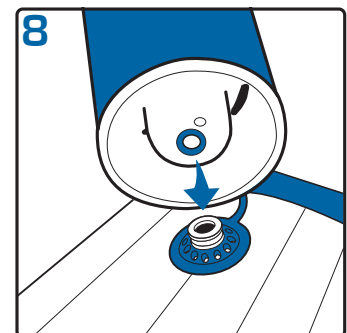
5 Remove the inner 'Peel & Seal' tape. Affix the cover to the adhesive and press firmly.



6 Repeat the process removing the outer 'Peel & Seal' tape half way across the blue edging tape.



7 Fold over the blue edging tape and press firmly ensuring a firm fit against the top surface of the cover material. Continue until all blue edging tape is securely set in place.



8 Re-inflate the device.



**Frontier Therapeutics Ltd**  
Newbridge Road Industrial Estate  
Blackwood, South Wales NP12 2YN

Tel: +44(0)1495 235800  
Fax: +44(0)1495 235808  
Email: [info@frontiermedical.eu](mailto:info@frontiermedical.eu)



Repose is a registered trade mark of Frontier Plastics Limited.  
© November 2008 Frontier Therapeutics Ltd. All rights reserved. GP0052\_A95\_01

[www.frontiermedical.eu](http://www.frontiermedical.eu)